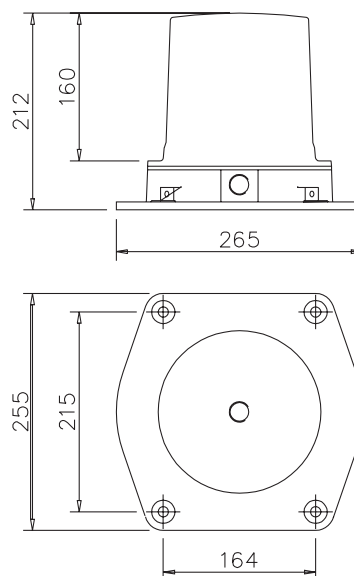


# Series J



Robust heavy-duty and rough-service industrial hazard warning beacon. Incorporates fixing holes on 164 x 215 centres for either direct surface mounting or clamp mounting to standard 6", 8" or 10" RSJ (clamps not supplied). Threaded M20 entries in base and side for direct conduit/gland coupling. High grade engineering, UV-stabilised polycarbonate lens with heavy duty cast aluminium base.

**Cage Guard :** G5  
**Wall Mounting Brackets:** n/a

## RFJ/B15D Rotating Mirror Beacon

- Robust rotating mirror beacon.
- Unique 'quiet-drive' system incorporating direct motor/turtable coupling and long life ball-race bearing. Eliminates nuisance of drive belt breakage and reduces drive-train noise.
- DC model features 120mm reflector for enhanced visibility in the vertical viewing plane.
- 360° All-round visibility.
- 24Vac, 50Vac, 110Vdc and 240Vdc models also available.

Supply voltage	12Vdc	24Vdc	115Vac	230Vac
Supply voltage limits			± 15%	
Supply current	4.15A	2.15A	540mA	270mA
Luminous intensity				
	Red	54Cd		80Cd
	Amber	162Cd		240Cd
	Green	97Cd		143Cd
	Blue	32Cd		48Cd
	Clear	216Cd		319Cd
Lamp rating		48W		60W
Reflector		120mm, ±8°		80mm, ±3°
Flash/min			180fpm (3Hz)	
Temperature limits			-20C, +55C	
IEC protection class			IP65	

**Example Order Code: RFJ/AC/230/B15D/Red**

## RFJ/TH Rotating Mirror Beacon with Tungsten Halogen Lamp

- High intensity H1 Tungsten Halogen version.
- Unique 'quiet-drive' system incorporating direct motor/turtable coupling and long life ball-race bearing. Eliminates nuisance of drive belt breakage and reduces drive-train noise.
- 120mm reflector for enhanced visibility in the vertical viewing plane.
- 360° All-round visibility.
- 115Vac and 230Vac versions available with external Transformer Box (ACTE) for low-voltage lamp.

Supply voltage	12Vdc	24Vdc
Supply voltage limits		± 15%
Supply current	4.75A	3A
Luminous intensity		
	Red	124Cd
	Amber	370Cd
	Green	222Cd
	Blue	74Cd
	Clear	494Cd
Lamp rating	55W	70W
Reflector		120mm, ±8°
Flash/min		180fpm (3Hz)
Temperature limits		-20C, +55C
IEC protection class		IP65

**Example Order Code: RFJ/DC/12/TH55/Amber**

For Installation Accessories please refer to page 73

**D.G. Controls Limited**

Cadley Hill Road, Swadlincote, Derbyshire, DE11 9TB, ENGLAND.

Tel: +44 (0) 1283 550850 Fax: +44 (0) 1283 550776 E-mail: sales@deegee.com www: http://www.deegee.com

Copyright © Reserved



# Series J



## XFJ/11 Joule Xenon Strobe Beacon

- High energy xenon strobe beacon.
- Repetitive Dual Flash (DH) and Single Flash (SH) models.
- Long-life xenon tube - typically > 20,000,000 flashes.
- 12Vuc, 24Vuc, 115Vac and 230Vac 11 Joule models.
- 12-100Vdc (12-72Vac) automatic voltage-ranging 5 Joule model (VRA).
- /SYNC terminals to allow multiple units to be flashed in synchronisation.
- 360° All-round and 270° All-over visibility.
- Special 240Vdc model also available.

Supply voltage	12Vuc	24Vuc	115Vac	230Vac	VRA
Supply voltage limits			± 15%		n/a
Supply current	1.36A	680mA	160mA	80mA	7W
Luminous intensity	Red		106Cd		40Cd
	Amber		264Cd		120Cd
	Green		264Cd		120Cd
	Blue		88Cd		40Cd
	Clear		440Cd		200Cd
Flash Energy			11J		5J
Flash Event			DH or SH		SH Only
Flash rate adjustment			30, 45, 60, 90 fepm		
Temperature limits			-40C, +55C		
IEC protection class			IP65		

**Example Order Code: XFJ/AC/230/DH/11J/Amber**



## XFJ/24 Joule Xenon Strobe Beacon

- Ultra-high energy xenon strobe beacon.
- Repetitive Dual Flash (DH) and Single Flash (SH) models.
- Long-life xenon tube - typically > 20,000,000 flashes.
- 12Vuc, 24Vuc, 115Vac and 230Vac 24 Joule models.
- /SYNC terminals to allow multiple units to be flashed in synchronisation.
- 360° All-round and 270° All-over visibility.
- Special 240Vdc model also available.

Supply voltage	12Vuc	24Vuc	115Vac	230Vac
Supply voltage limits			± 15%	
Supply current	3.10A	1.55A	350mA	175mA
Luminous intensity	Red		230Cd	
	Amber		576Cd	
	Green		576Cd	
	Blue		192Cd	
	Clear		960Cd	
Flash Energy			24J	
Flash Event			DH or SH	
Flash rate adjustment			30, 45, 60, 90 fepm	
Temperature limits			-40C, +55C	
IEC protection class			IP65	

**Example Order Code: XFJ/AC/115/SH/24J/Blue**



## PSJ/B15D Pulsed (Flashing) Beacon

- Solid-state operation.
- 12Vdc, 24Vdc, 115Vac and 230Vac versions.
- 24Vac version available to order - see 24Vdc versions for specification.
- 50% duty cycle (equal on/off periods).
- Terminals on-board for additional slave beacons - up to rated maximum slave load.
- 360° All-round and 270° All-over visibility.
- Alternative lamps and lamp caps available, e.g. E14 or E27.

Supply voltage	12Vdc	24Vdc	115Vac	230Vac
Supply voltage limits			± 15%	
Supply current	4A	2A	520mA	260mA
Luminous intensity	Red	13Cd		15Cd
	Amber	38Cd		45Cd
	Green	23Cd		27Cd
	Blue	8Cd		9Cd
	Clear	50Cd		60Cd
Lamp rating		48W		60W
Max slave load	21W		48W	120W
Flash/min			40fpm (0.667Hz)	
Temperature limits			-20C, +55C	
IEC protection class			IP65	

**Example Order Code: PSJ/DC/12/B15D/Amber**



## SBJ Static (Non-flashing) Beacon

- Ideal slave (not CFT) to conventional **deege** pulsed beacons (not LED).
- 360° All-round and 270° All-over visibility.
- 12V, 24V, 50V, 115V and 230V versions. AC or DC operation (B15D bulb supplied).
- 230Vac compact fluorescent (CFT) also available.
- Also available without fitted bulb (voltage designation 'O')
- Alternative lamps and lamp caps available, e.g. E14 or E27.

		Filament Lamp				CFT
Supply voltage	12Vuc	24Vuc	50Vuc	115Vuc	230Vuc	230Vac
Supply voltage limits			± 15%			
Supply current	4A	2A	300mA	520mA	260mA	45mA
Luminous intensity	Red	13Cd	4Cd	15Cd		12Cd
	Amber	38Cd	11Cd	45Cd		45Cd
	Green	23Cd	7Cd	27Cd		27Cd
	Blue	8Cd	2Cd	9Cd		9Cd
	Clear	50Cd	15Cd	60Cd		60Cd
Lamp rating		48W	15W	60W		10W
Temperature limits				-20C, +55C		
IEC protection class				IP65		

**Example Order Code: SBJ/UC/50/B15D/Red**



For Installation Accessories please refer to page 73

**D.G. Controls Limited**

Cadley Hill Road, Swadlincote, Derbyshire, DE11 9TB, ENGLAND.

Tel: +44 (0) 1283 550850 Fax: +44 (0) 1283 550776 E-mail: sales@deege.com www: http://www.deege.com

Copyright © Reserved

# Series J

## RFJ/RMLED Rotating Mirror LED Beacon

- Traditional rotating mirror with solid-state light source.
- High-output **AND** Low-power!
- 360° All-round visibility.
- Long-life LED (>100,000 hours typical).
- Ultra-low current draw means more units can be powered from a single source.
- Specifically ideal for systems that feature battery back-up in case of failure of the primary power source.

Supply voltage	12Vdc - 24Vdc		115Vac - 230Vac	
Supply voltage limits			± 15%	
Supply power	5W		7W	
Luminous intensity	Red	278Cd		
	Amber	163Cd		
	Green	178Cd		
	Blue	100Cd		
	Clear	278Cd		
Flash/min			120fpm (2Hz)	
Temperature limits			-20C, +55C	
IEC protection class			IP65	

**Example Order Code: RFJ/DC/12-24/RMLED/Blue**

## RFJ/LED Revolving and PSJ/LED Pulsed (Flashing) LED Beacons

- Solid-state LED beacon with either revolving (simulated rotating) or Pulsed light effect.
- 360° All-round visibility.
- No moving parts.
- Long-life LEDs (>100,000 hours typical).
- 50% duty cycle (equal on/off periods).
- User selectable pulsed/static (flashing/non-flashing) operation by simple jumper link change.
- Very low current draw.

Supply voltage	12Vdc	24Vdc	115Vac	230Vac
Supply voltage limits	± 15%			
Supply current (RFJ/LED)	100mA	100mA	100mA	100mA
Supply current (PSJ/LED)	300mA	150mA	50mA	25mA
Number of LEDs	Red	120		
	Amber	120		
	Green	120		
	Blue	72		
	Clear	72		
Luminous intensity			16Cd	
Flash/min (RFJ/LED)			150fpm (2.5Hz)	
Flash/min (PSJ/LED)			120fpm (2Hz)	
Temperature limits			-40C, +55C	
IEC protection class			IP65	

**Example Order Code: RFJ/AC/230/LED/Amber or PSH/AC/115/LED/Green**

## SBJ/LED Static (Non-flashing) LED Beacon - 360° All-round viewing

- Static (non-flashing) LED beacon.
- 360° All-round visibility.
- Meets ICAO requirements for Low Intensity Obstruction Warning (Red only).
- High-density LED Matrix.
- Long-life LEDs (>100,000 hours typical).
- Ideal low-current slave to conventional **deege** (not LED) pulsed beacons.

Supply voltage	12Vdc	24Vdc	115Vac	230Vac
Supply voltage limits	± 15%			
Supply current	600mA	300mA	100mA	50mA
Number of LEDs	Red	120		
	Amber	120		
	Green	120		
	Blue	72		
	Clear	72		
Luminous Intensity			16Cd	
Temperature limits			-40C, +55C	
IEC protection class			IP65	

**Example Order Code: SBJ/AC/115/LED/Amber**

## SBJ/AOV-LED Static (Non-flashing) LED Beacon - 360° All-round + 270° All-over viewing

- Static (non-flashing) LED beacon.
- 360° All-round and 270° All-over visibility.
- Meets ICAO requirements for Low Intensity Obstruction Warning (Red only).
- Additional 48Vdc model for specialist applications.
- High-density LED Matrix.
- Long-life LEDs (>100,000 hours typical).
- Ideal low-current slave to conventional **deege** (not LED) pulsed beacons.

Supply voltage	12Vdc	24Vdc	48Vdc	115Vac	230Vac
Supply voltage limits	± 15%				
Supply current	800mA	400mA	400mA	120mA	60mA
Number of LEDs	Red	160			
	Amber	160			
	Green	160			
	Blue	96			
	Clear	96			
Luminous Intensity			16Cd		
Temperature limits			-40C, +55C		
IEC protection class			IP65		

**Example Order Code: SBJ/AC/230/AOV-LED/Red**

For Installation Accessories please refer to page 73

**D.G. Controls Limited**

Cadley Hill Road, Swadlincote, Derbyshire, DE11 9TB, ENGLAND.

Tel: +44 (0) 1283 550850 Fax: +44 (0) 1283 550776 E-mail: sales@deege.com www: http://www.deege.com

Copyright © Reserved

