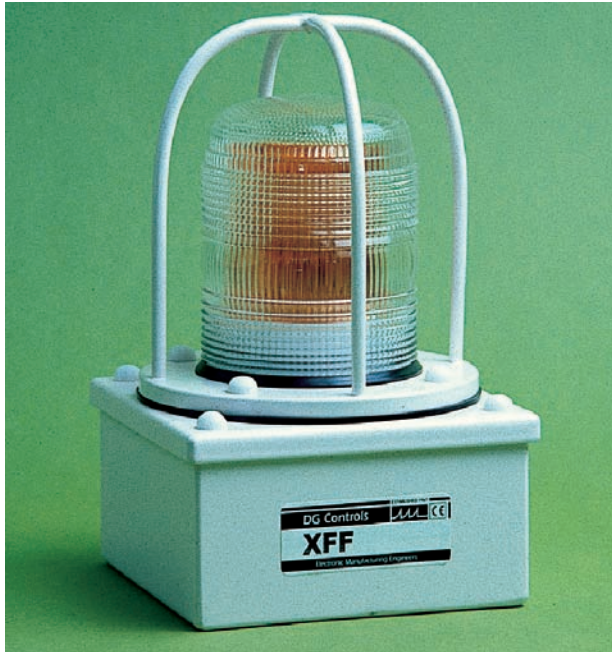


Series F



EPC Coated Mild Steel with Integral Guard



AISI 316 Stainless Steel

Heavy duty beacons with glass fresnel dome. Supplied either 'XFF' with Mild Steel base incorporating integral cage guard or 'XFF/SS' with Stainless Steel base for harsh environments (including acidic). Mild Steel version incorporates base fixing on 51mm centres and central underside 20mmØ cable entry. Stainless Steel version features fixing holes on 120 x 165mm centres and side 20.5mmØ cable entry.

Cage Guard : Series F - Guard Included Series F/SS - No Guard
Wall Mounting Brackets: MB1 (Series F only)

XFF/11 Joule and XFF/5 Joule Xenon Strobe Beacon

- High-intensity xenon strobe beacon.
- Repetitive Double Flash (DH) or Single Flash (SH) models.
- Long-life xenon tube - typically > 20,000,000 flashes.
- 12Vdc, 24Vdc, 115Vac and 230Vac 11 Joule models.
- 12-100Vdc (12-72Vac) automatic voltage-ranging 5 Joule model (VRA).
- /SYNC terminals to allow multiple units to be flashed in synchronisation.
- 360° All-round and 270° All-over visibility.
- Special 240Vdc model also available.

Supply voltage	12Vdc	24Vdc	115Vac	230Vac	VRA
Supply voltage limits			± 15%		n/a
Supply current	1.36A	680mA	160mA	80mA	7W
Luminous intensity	Red		115Cd		52Cd
	Amber		264Cd		120Cd
	Green		264Cd		120Cd
	Blue		88Cd		40Cd
	Clear		440Cd		200Cd
Flash Energy			11J		5J
Flash Event			DH or SH		SH Only
Flash rate adjustment			30, 45, 60, 90 fepm		
Temperature limits			-40C, +55C		
IEC protection class			IP65		

Example Order Code: XFF/UC/24/DH/11J/Red or XFF/SS/UC/24/DH/11J/Red

RFF/LED Revolving LED Beacon

- Solid-state LED beacon with revolving (simulated rotating) light effect.
- 360° 'all-round' visibility.
- No moving parts.
- High density LED matrix.
- Long-life LEDs (>100,000 hours typical).
- Ultra-low current draw compared to achieved light output.

Supply voltage	12Vdc	24Vdc	115Vac	230Vac
Supply voltage limits			± 15%	
Supply current			25mA	
Number of LEDs	Red		40	
	Amber		40	
	Green		40	
	Blue		24	
	Clear		24	
Luminous intensity			8Cd	
Flash/min			150fpm (2.5Hz)	
Temperature limits			-40C, +55C	
IEC protection class			IP65	

Example Order Code: RFF/AC/230/LED/Red or RFF/SS/AC/230/LED/Red

For Installation Accessories please refer to page 73

D.G. Controls Limited

Cadley Hill Road, Swadlincote, Derbyshire, DE11 9TB, ENGLAND.

Tel: +44 (0) 1283 550850 Fax: +44 (0) 1283 550776 E-mail: sales@deegee.com www: http://www.deegee.com

Copyright © Reserved



Series F

D

PSF/LED Pulsed (Flashing) LED Beacon

- Pulsed beacon incorporating high density LED matrix.
- 360° All-round visibility.
- Long-life LEDs (>100,000 hours typical).
- User selectable pulsed/static (flashing/non-flashing) operation by simple jumper link change.
- Very low current draw.

Supply voltage	12Vdc	24Vdc	115Vac	230Vac
Supply voltage limits			± 15%	
Supply current	70mA	35mA	10mA	10mA
Number of LEDs	Red		30	
	Amber		30	
	Green		30	
	Blue		18	
	Clear		18	
Luminous intensity			8Cd	
Flash/min			120fpm (2Hz)	
Temperature limits			-40C, +55C	
IEC protection class			IP65	

E

F

F/SS

Example Order Code: PSF/DC/12/LED/Red or PSF/SS/DC/12/LED/Red

G

SBF/LED Static (Non-flashing) LED Beacon

- Static (non-flashing) LED beacon.
- 360° All-round visibility.
- High-density LED Matrix.
- Long-life LEDs (>100,000 hours typical).
- Ideal low-current slave to conventional **deege** pulsed beacons (not LED).

Supply voltage	12Vdc	24Vdc	115Vac	230Vac
Supply voltage limits			± 15%	
Supply current	140mA	70mA	20mA	20mA
Number of LEDs	Red		30	
	Amber		30	
	Green		30	
	Blue		18	
	Clear		18	
Luminous Intensity			8Cd	
Temperature limits			-40C, +55C	
IEC protection class			IP65	

H

J

K

Example Order Code: SBF/AC/230/LED/Green or SBF/SS/AC/230/LED/Green

L

M

N

R

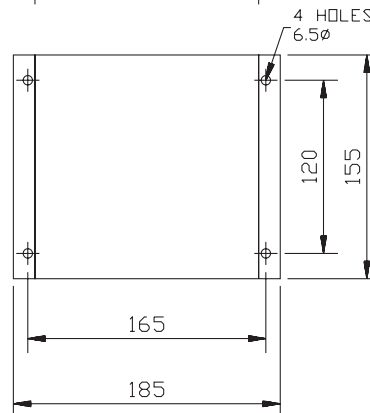
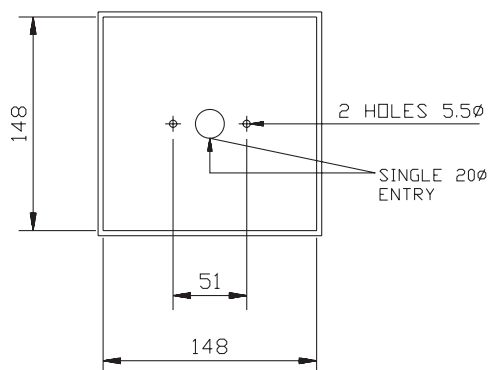
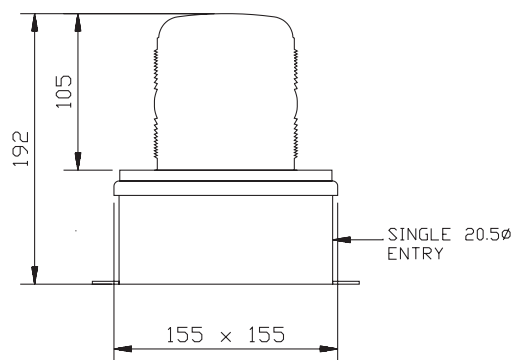
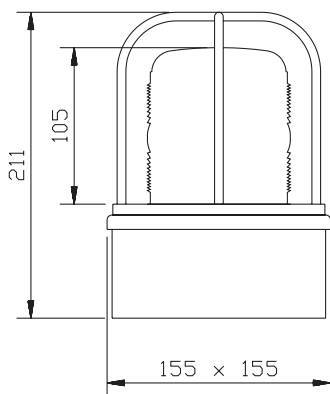
S

T

U

V

W



EPC Coated Mild Steel with Integral Guard

AISI 316 Stainless Steel

For Installation Accessories please refer to page 73

D.G. Controls Limited

Cadley Hill Road, Swadlincote, Derbyshire, DE11 9TB, ENGLAND.

Tel: +44 (0) 1283 550850 Fax: +44 (0) 1283 550776 E-mail: sales@deege.com www: http://www.deege.com

Copyright © Reserved