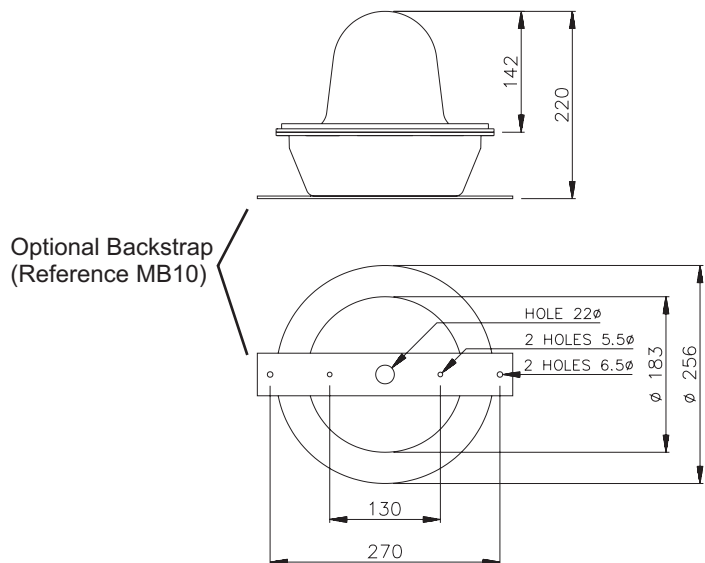




# Series G

## Obstruction Warning Beacons



Heavy-duty IP68 obstruction warning beacon meeting the requirements of ICAO Annex 14 Volume 1 Low Intensity Obstruction Warning Type A and Type B.

Eight-point tamper resistant dome fixing and O-ring gasket for positive ingress protection. High grade engineering, UV-stabilised Polycarbonate base and lens. Flat positions in opposing sides (2 off) and base (1 off) for user to drill entries for Conduit/Glands and to allow through connection. Side entry thickness suitable for thread forming.

### Low-Intensity Type A (10cd+)

- Static (non-flashing) LED beacon.
- 360° All-round visibility.
- Meets ICAO requirements for Low Intensity Obstruction Warning Type A (>10Cd)
- High-density LED Matrix.
- Long-life LEDs (>100,000 hours typical).

Supply voltage	12Vdc	24Vdc	115Vac	230Vac
Supply voltage limits			$\pm 15\%$	
Supply current	600mA	300mA	100mA	50mA
Number of LEDs	120			
Luminous Intensity	16Cd			
Temperature limits	-40C, +55C			
IEC protection class	IP68			

Typical Order Code: **SBG/DC/24/LED/Red**

### Low Intensity Type B (32cd+)

- Static (non-flashing) LED beacon.
- 360° All-round visibility.
- Meets ICAO requirements for Low Intensity Obstruction Warning Type B (>32cd).
- High-density LED Matrix.
- Long-life LEDs (>100,000 hours typical).

Supply voltage	24-48Vdc	115Vac	230Vac
Supply voltage limits	20-55Vdc	$\pm 15\%$	$\pm 15\%$
Nominal power consumption	20W (all types)		
Number of LEDs	240		
Luminous Intensity	Min	Max	
0deg	39Cd	63Cd	
+5deg	46Cd	70Cd	
+10deg	33Cd	55Cd	
Temperature limits	-40C, +55C		
IEC protection class	IP68		

Typical Order Code: **SBG/DC/LED TYPE B/Red**

For Installation Accessories please refer to page 73 of the main catalogue BEA38

**D.G. Controls Limited**

Cadley Hill Road, Swadlincote, Derbyshire, DE11 9TB, ENGLAND.

Tel: +44 (0) 1283 550850 Fax: +44 (0) 1283 550776 E-mail: sales@deegee.com www: http://www.deegee.com

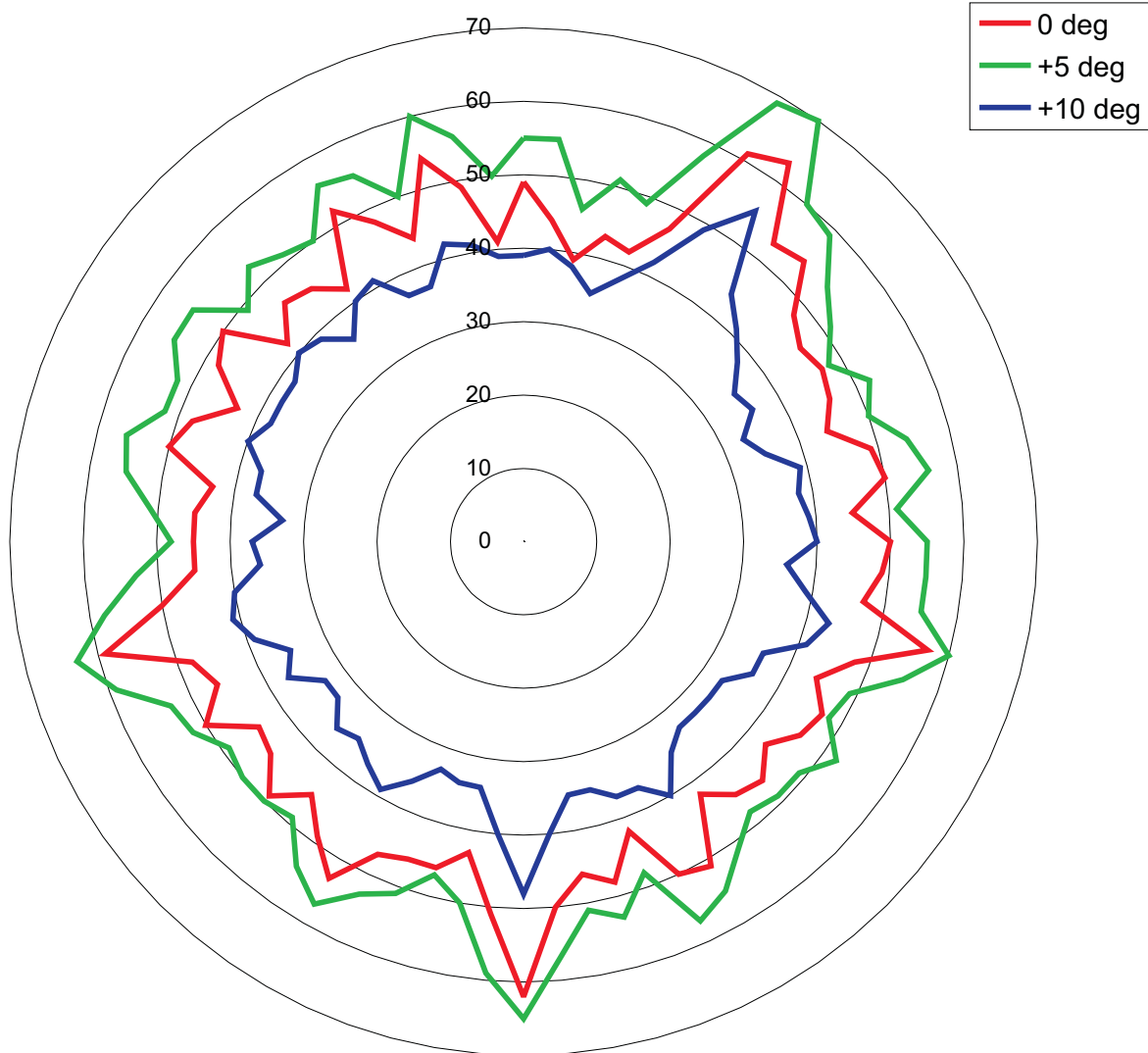
Copyright © Reserved



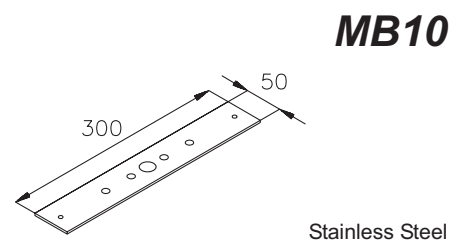
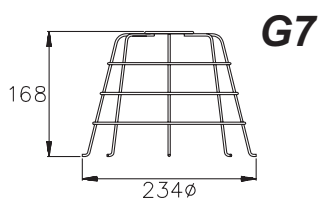
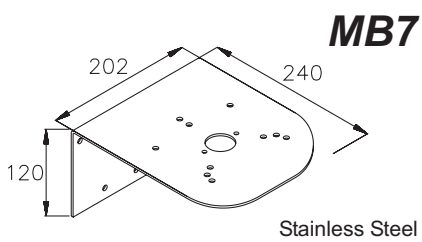
# Series G

## Obstruction Warning Beacons

### Luminous Intensity of Type B Beacon



### Installation Accessories



**D.G. Controls Limited**

Cadley Hill Road, Swadlincote, Derbyshire, DE11 9TB, ENGLAND.

Tel: +44 (0) 1283 550850 Fax: +44 (0) 1283 550776 E-mail: [sales@deegee.com](mailto:sales@deegee.com) www: <http://www.deegee.com>

Copyright © Reserved